

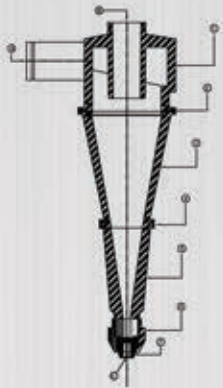
# 1. SOLID CONTROL EQUIPMENT & SPARES : HYDROCYCLONES

Hydrocyclones are mechanical devices designed for separation of solid particles from the drilling fluids. The separation of solid particles depends on parameters like feed particles size, fluid viscosity, fluid feed pressure (fluid density) and hydrocyclone size. RRP offers hydrocyclones made out of very high quality urethane materials for its desanders and desilters.



## 1. A. DESANDERS

RRP Desander incorporates 10" & 12" cones, which are manufactured using special grade of cast urethane, highly resistant to heat, abrasion, chemicals, wear, tear, oil and water. The feed entry angle is designed in such a way to ensure effective removal of drilled solids from the drilling fluids, ensuring reduction in the loss of costlier drilling fluids. **Capacity ranging from 500 to 1500 GPM Available.**



10" cones

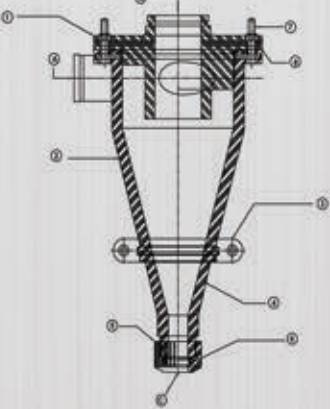
10" SWECO EQUIVALENT			
MARK	DESCRIPTION	QTY	WEIGHT (LBS)
1	10" FEED SECTION	1	50.00
2	10" UPPER CONE CLAMP	1	3.50
3	10" MID-CONE SECTION	1	18.00
4	CONE CLAMP 5" SLIMLINE	1	2.00
5	10" LOWER CONE BODY	1	13.00
6	10" APEX HOLDER	1	3.50
7	APEX VALVE	1	1.00
TOTAL WEIGHT			92.00

PORT SCHEDULE		
MARK	DESCRIPTION	SIZE
A	INLET	5" GROOVE
B	DISCHARGE	5" GROOVE
C	UNDERFLOW	ADJUSTABLE



12" BRANDT EQUIVALENT			
MARK	DESCRIPTION	QTY	WEIGHT (LBS)
1	TOP FLANGE 12"	1	49.00
2	BODY 12"	1	52.00
3	CLAMP 12"	1	2.00
4	CONE APEX 12"	1	7.00
5	APEX HOLDER 12"	1	1.00
6	APEX	1	0.25
7	BOLT	1	
8	NUT & FLATWASHER	1	
TOTAL WEIGHT			112.00

PORT SCHEDULE		
MARK	DESCRIPTION	SIZE
A	INLET	4" GROOVE
B	DISCHARGE	6" GROOVE
C	UNDERFLOW	ADJUSTABLE



12" cones



Desander Assembly Unit

**Replacement Cone assemblies for major O.E.M Desander models available**

### SPECIFICATIONS

### DESANDER MODELS

	RRP	BRANDT	HARRISBURG / BAROID / KEMTRON / DERRICK/ SWECO
CONE SIZE	12"	12"	10"
CAPACITY (GPM)	500	500	500
OPERATING PRESSURE (PSI)	30-40	30-40	35-40
PARTICLE SEPARATION (MICRON)	40-100	40-100	40-100
MATERIAL	CAST URETHANE	CAST URETHANE	CAST URETHANE